

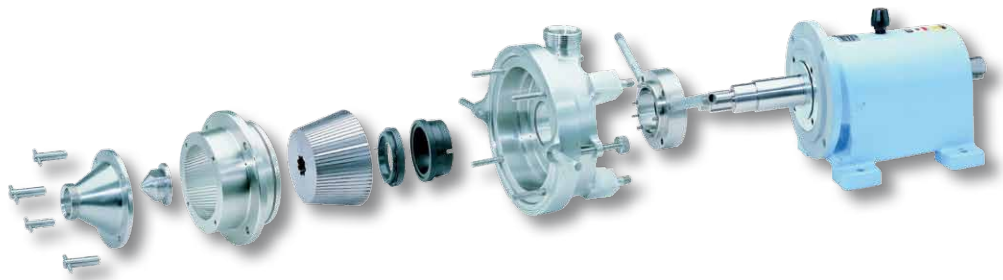


Colloid Mill

For producing, controlled, highly sheared, uniform emulsified products

Greater Capacity

Waukesha Cherry-Burrell Colloid Mills dispense product inline through larger openings. Clearance setting does not effect product movement. You get up to 50% more flow rate with less heat than other mills.



Easy Clearance Adjustment

Just set a simple, calibrated ring. It locks in position in increments of .001 between .010 and .240 inches. No special tools. Less chance for error. Less downtime. Clearance adjustment can be made 'on the fly' during operation or when stopped.

Easy Cleaning

With the stator removed, you gain complete visibility. Comes off without tools. Also can be cleaned in place depending on application.

Longer bearing & seal life

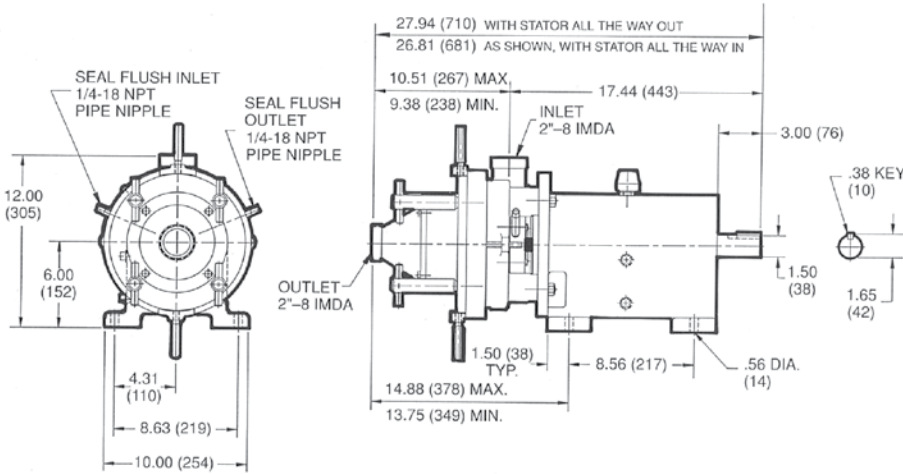
Shaft and bearing position is independent of clearance adjustment, so heavy duty, pre-loaded bearings can be used for longer life. Runs quieter, too.

Easy to Disassemble

With only seven basic parts to the mill. Cleaning and inspection are quick and easy.



Colloid Mill Dimensions:

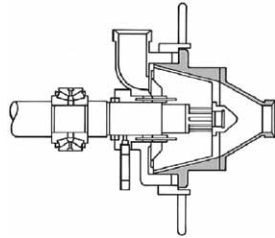


Waukesha Cherry-Burrell Design

A serrated conical stator and serrated rotating cone make up the emulsifying head. Clearances are determined by moving the stator not the shaft. Shaft, bearings and seals are all fixed.

Simple Stator Adjustment

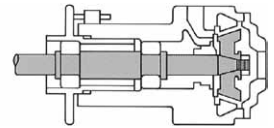
- Longer Shaft Life
- Longer Bearing Life
- Longer Seal Life



Conventional Design

Standard mills require the forward or backward movement of the shaft within its bearings to achieve desired clearance settings. Wear on parts affect emulsion results. Tools required. Errors, easy.

Complicated Shaft Adjustment



Your local contact:



SPX Flow Technology
611 Sugar Creek Road
Delavan, WI 53115

Phone: (262)728-1900 or (800)252-5200 Fax: (262)728-4904 or (800)252-5012

E-mail: wcb@spx.com

For more information about our worldwide locations, approvals, certifications, and local representatives, please visit www.spxfl.com or www.gowcb.com.

SPX Corporation reserves the right to incorporate our latest design and material changes without notice or obligation.

Design features, materials of construction and dimensional data, as described in this bulletin, are provided for your information only and should not be relied upon unless confirmed in writing.

Issued: 09/2010 FH-1717

Copyright © 2005, 2010 SPX Corporation